

Instructions for use of Seebri Breezhaler inhaler

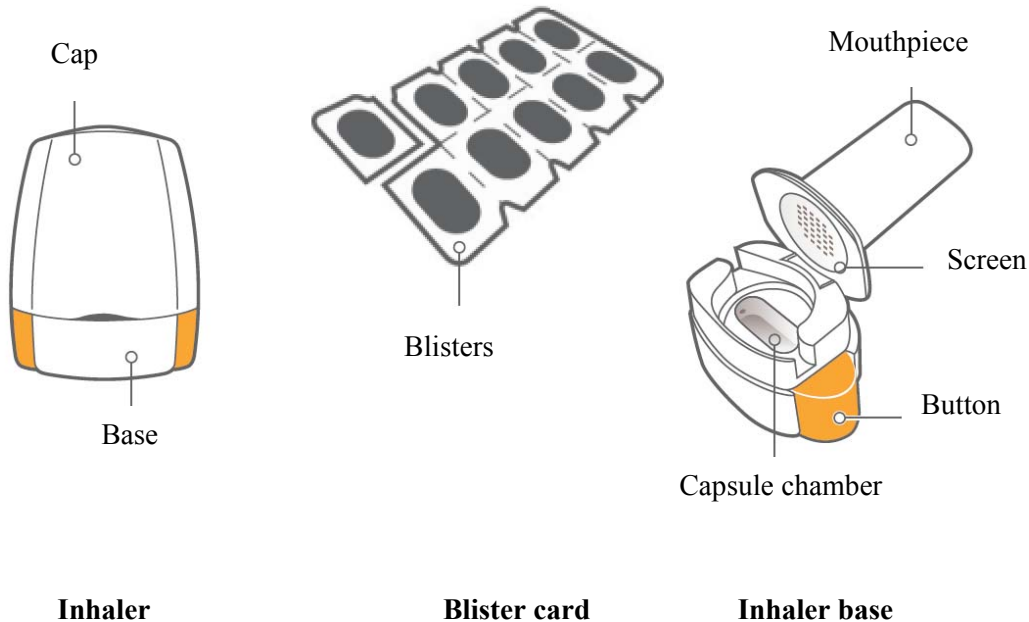
Please read the following instructions carefully to learn how to use this medicine.

- Only use the Seebri Breezhaler inhaler contained in this pack. Do not use Seebri Breezhaler capsules with any other inhaler, and do not use Seebri Breezhaler inhaler to take any other capsule medicine.
- Do not push the capsule through the foil to remove it from the blister.
- When you start a new pack, only use the new Seebri Breezhaler inhaler that is supplied in the pack.
- Each inhaler should be disposed of after 30 days of use. Ask your pharmacist how to dispose of medicines and inhalers no longer required.
- Do not swallow the capsules. The powder in the capsules is for you to inhale.

Your Seebri Breezhaler pack

One Seebri Breezhaler pack contains:

- one Seebri Breezhaler inhaler
- one or more blisters, each containing either 6 or 10 Seebri Breezhaler capsules to be used in the inhaler.



How to use your inhaler

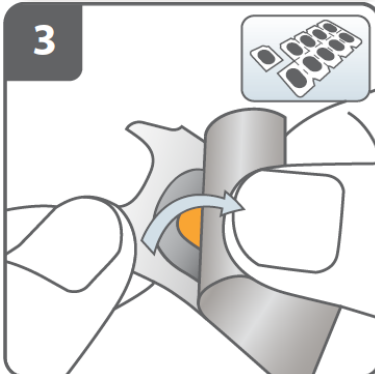


Pull off the cap.



Open inhaler:

Hold the base of the inhaler firmly and tilt the mouthpiece. This opens the inhaler.

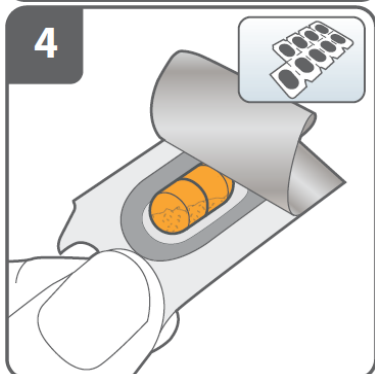


Prepare capsule:

Separate one of the blisters from the blister card by tearing along the perforation.

Take one blister and peel away the protective backing to expose the capsule.

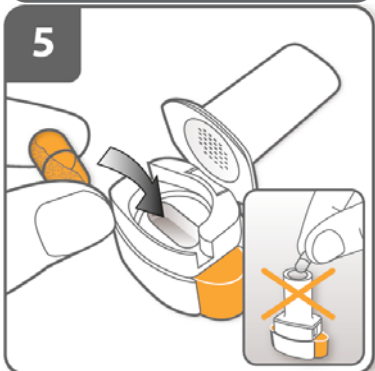
Do not push capsule through foil.



Remove a capsule:

Capsules should always be stored in the blister and only removed immediately before use.

With dry hands, remove capsule from the blister. Do not swallow the capsule.



Insert capsule:

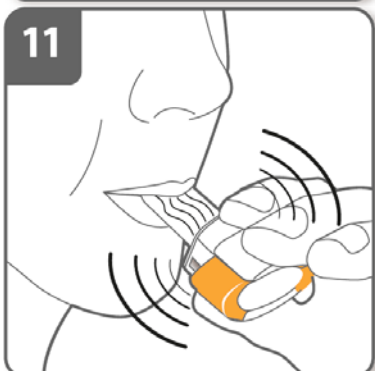
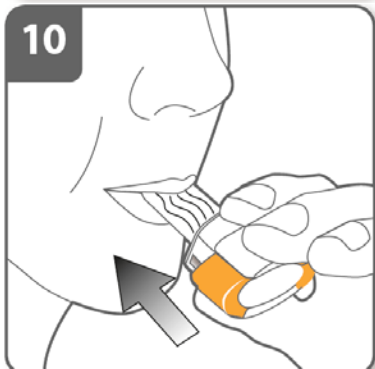
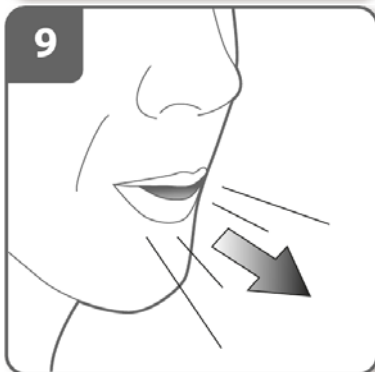
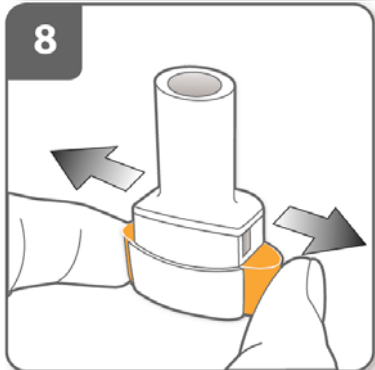
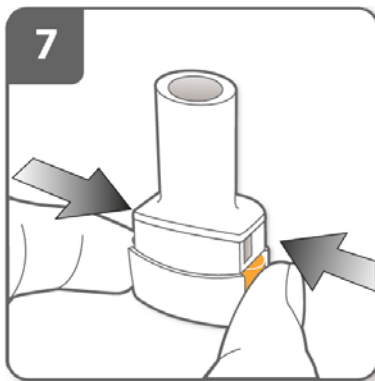
Place the capsule into the capsule chamber.

Never place a capsule directly into the mouthpiece.



Close the inhaler:

Close the inhaler until you hear a “click”.



Pierce the capsule:

- Hold the inhaler upright with the mouthpiece pointing up.
- Pierce the capsule by firmly pressing together both side buttons at the same time. **Do this only once.**
- You should hear a “click” as the capsule is being pierced.

Release the side buttons fully.

Breathe out:

Before placing the mouthpiece in your mouth, breathe out fully.

Do not blow into the mouthpiece.

Inhale the medicine:

To breathe the medicine deeply into your airways:

- Hold the inhaler as shown in the picture. The side buttons should be facing left and right. Do not press the side buttons.
- Place the mouthpiece in your mouth and close your lips firmly around it.
- Breathe in rapidly but steadily, as deeply as you can. **Do not press the side buttons.**

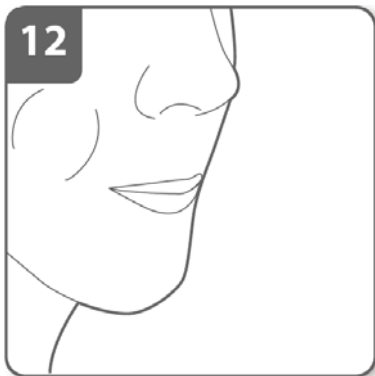
Note:

As you breathe in through the inhaler, the capsule spins around in the chamber and you should hear a whirring noise. You will experience a sweet flavour as the medicine goes into your lungs.

If you do not hear a whirring noise:

The capsule may be stuck in the capsule chamber. If this happens:

- Open the inhaler and carefully loosen the capsule by tapping the base of the inhaler. **Do not press the side buttons.**



- Inhale the medicine again by repeating steps 9 and 10.

Hold breath:

After you have inhaled the medicine:

- **Hold your breath** for at least 5-10 seconds or as long as you comfortably can while taking the inhaler out of your mouth.
- Then breathe out.
- Open the inhaler to see if any powder is left in the capsule.

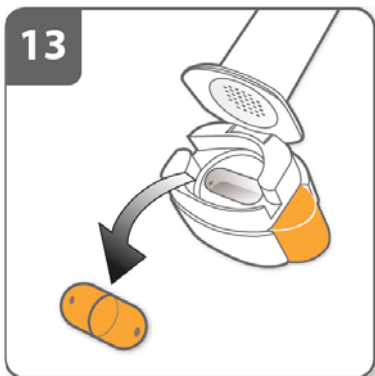
If there is powder left in the capsule:

- Close the inhaler.
- Repeat steps 9 to 12.

Most people are able to empty the capsule with one or two inhalations.

Additional information

Some people occasionally cough briefly soon after inhaling a medicine. If you do, don't worry. As long as the capsule is empty, you have received enough of your medicine.



After you have finished taking your daily dose of Seebri Breezhaler:

- Open the mouthpiece again, and remove the empty capsule by tipping it out of the capsule chamber. Put the empty capsule in your household waste.
- Close the inhaler and replace the cap.

Do not store the capsules in the Seebri Breezhaler inhaler.

Additional information

Occasionally, very small pieces of the capsule can get past the screen and enter your mouth. If this happens, you may be able to feel these pieces on your tongue. It is not harmful if these pieces are swallowed or inhaled. The chances of the capsule shattering will be increased if the capsule is pierced more than once (step 7).

How to clean your inhaler

Never wash your inhaler with water. If you want to clean your inhaler, wipe the mouthpiece inside and outside with a clean, dry, lint-free cloth to remove any powder residue. Keep the inhaler dry.